

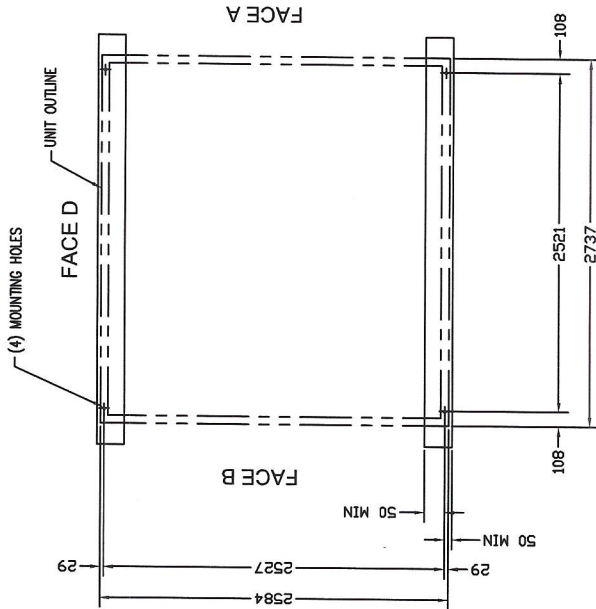
- NOTES:**
1. DIMENSIONS SHOWING LOCATION OF COIL CONNECTIONS ARE APPROXIMATE AND SHOULD NOT BE USED FOR PREFABRICATION OF CONNECTIONS UP TO ND 100 ARE BEVEL FOR WELDING.
 2. ALL CONNECTIONS UP TO ND 100 ARE BSP MALE THREAD. CONNECTIONS LARGER THAN ND 100 ARE BEVEL FOR WELDING.
 3. HOT DIP GALVANIZED COIL CONNECTIONS ARE CLOSED AND COILS ARE FILLED WITH AN INERT GAS. RELEASE PRESSURE AND CUT CONNECTIONS ON SITE.
- This drawing is the property of Baltimore Aircoil Company. It is not to be copied or used, directly or indirectly, in whole or in part, to assist in making or to furnish any information for the making of duplicate or other reproductions hereof, or for the making of any part or component part, without the written consent of Baltimore Aircoil Company. The acceptance of this drawing will be construed as an acceptance of the foregoing agreement.

| | | | | |
|-------------------|----------------------------------|----------|----------------------------------|------|
| CXVE_151-0809-10L | MODEL NO. | 3980 | 5720 | 2140 |
| | SHIPPING WEIGHT (kg) | 3980 | 5720 | 2140 |
| | OPERATING WEIGHT (kg) | | | |
| | HEAVIEST SECTION (kg) | | | |
| | DATE | 09/04/15 | | |
| | RELOCATE CONNECTIONS (JEVL) | | | |
| | ADD EQUALIZING CONNECTION (JEVL) | | | |
| | REVISIONS | | | |
| | NO. | DATE | BY | DATE |
| | 2 | 20/05/15 | RELOCATE CONNECTIONS (JEVL) | |
| | 1 | 28/04/15 | ADD EQUALIZING CONNECTION (JEVL) | |

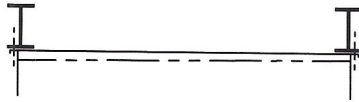
BALTIMORE AIRCOIL INTERNATIONAL N.V.
 HEIST-OP-DEN-BERG, BELGIUM
 www.BaltimoreAircoil.com
 © 2014 Baltimore Aircoil International n.v.

CUSTOMER: GEA REFRIGERATION LTD.
 BAC.Ser.no. H150345302
 CXVE EVAPORATIVE CONDENSER
 DWG. NO. H150345302CP-R2

This drawing is the property of Baltimore Aircoil and shall remain the property of Baltimore Aircoil. It is not to be copied or used, directly or indirectly, in whole or in part, to assist in making or in the making of any part or component part shown therein, without the written consent of Baltimore Aircoil Company. The drawing is issued with the expressed understanding that the drawing information contained therein are the property of Baltimore Aircoil Company. The drawing will be construed as an acceptance of the going agreement.



FACE A ELEVATION



FACE C (AIR INLET)
PLAN VIEW

NOTES :

- 1 The recommended support arrangement consists of parallel I-beams extending the full length of the unit. Supports and anchor bolts are to be designed and furnished by others.
- 2 All supporting beams are to be flush and level at top and must be oriented relative to gage line as shown.
- 3 Recommended design loads for each beam should be 70% of the total unit operating weight applied as a uniform load to each of the unit beams. Beams should be designed in accordance with standard structural practice.
- 4 All mounting holes are 22 mm diam. at the locations shown.
- 5 If vibration isolators are used, a rail or channel must be provided between the unit and the isolators to provide continuous unit support. Additionally the support beams must be designed to accommodate the overall length and mounting hole location of the isolators which may differ from those of the unit. Refer to vibration isolator drawings for these data.

Maximum allowable deflection of beams under the unit : 8 mm

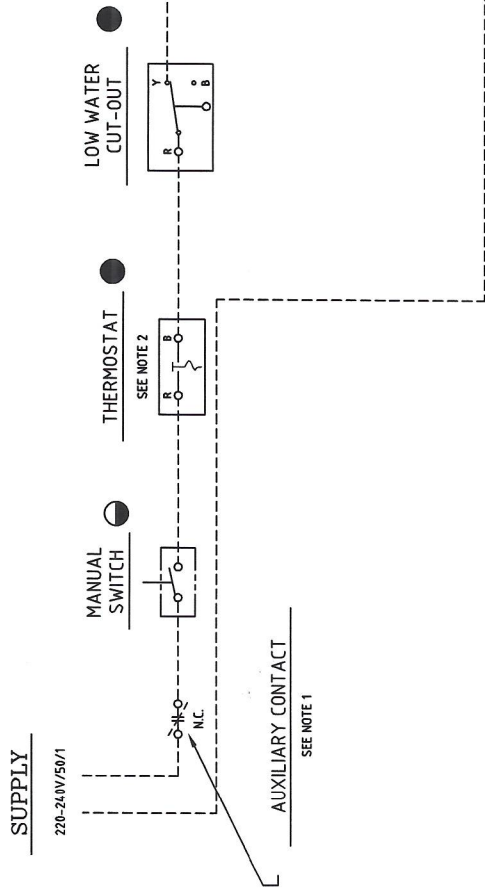
| |
|-------------------------------|
| CXVE_151-0809-10L |
| MODEL NO. |
| BAC Ser.no. HI50345301/2 |
| CUSTOMER GEA REFRIGERATION |
| DWG. NO. HI50345301SU-R0 |

| | |
|-----------|----------|
| DWG.BY | DATE |
| JEVL | 08/04/15 |
| CHK'D.BY | DATE |
| NO. | DATE |
| REVISIONS | |

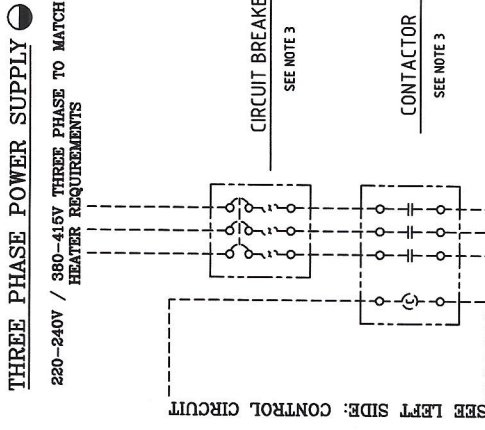
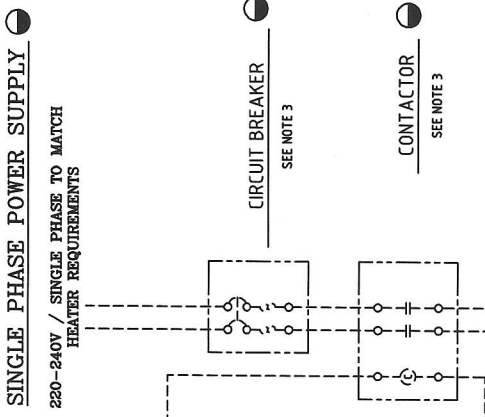
BALTIMORE AIRCOIL INTERNATIONAL N.V.
HEIST-OP-DEN-BERG, BELGIUM
www.BaltimoreAircoil.com
© 2014 Baltimore Aircoil International n.v.



CONTROL CIRCUIT



HEATER POWER SUPPLY



● INDICATES ITEMS TO BE FURNISHED BY OTHERS

● INDICATES ITEMS FURNISHED BY BAC.

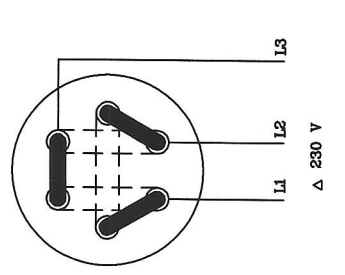
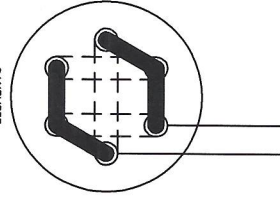
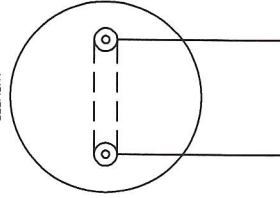
- NOTES:
1. IMMERSION HEATERS SHOULD BE INTERLOCKED WITH WATER CIRCULATING PUMP TO DEENERGIZE HEATERS WHENEVER CIRCULATING PUMP IS RUNNING.
 2. CONTROL THERMOSTAT TO BE SET AT 4°C.
 3. SIZED TO SUIT HEATER REQUIREMENTS.
 4. ALL WIRING SHOWN IS FIELD SUPPLY, TO BE FURNISHED BY OTHERS.

● TO IMMERSION HEATERS IN COLD WATER BASIN (WIRE MULTIPLE HEATERS IN PARALLEL).

● TO THREE PHASE IMMERSION HEATERS IN COLD WATER BASIN (WIRE MULTIPLE HEATERS IN PARALLEL).

ONE HEATING ELEMENT

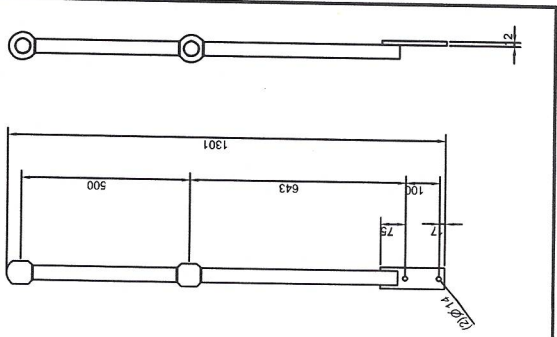
THREE HEATING ELEMENTS



| GENERAL REVISIONS | | MODEL: | |
|--|----------|-----------------|------------|
| NO. | DATE | DATE | DWG. NO. |
| A | 04-07-05 | | 05F049--RA |
| | | DESIGN BY: GUVL | |
| | | DATE: 10/06/05 | |
| | | CHK'D BY: | |
| BALTIMORE AIRCOIL INTERNATIONAL N.V. HEIST-OP-DEN BERG, BELGIUM | | | |
| SINGLE/THREE PHASE ELECTRIC HEATER PACKAGE | | | |



STANCHION 4 (DETAIL B) ⑧

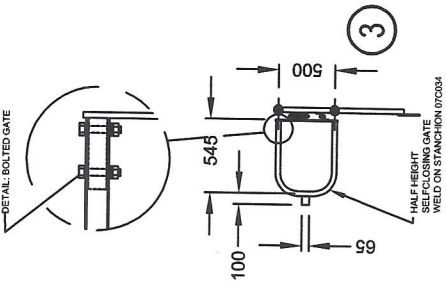


✕ MARKS THE JOINT LINE

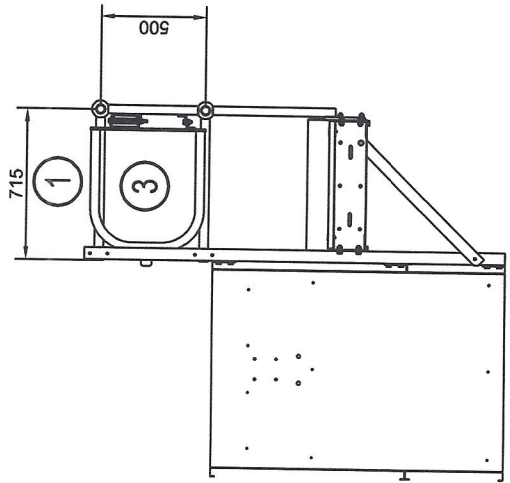
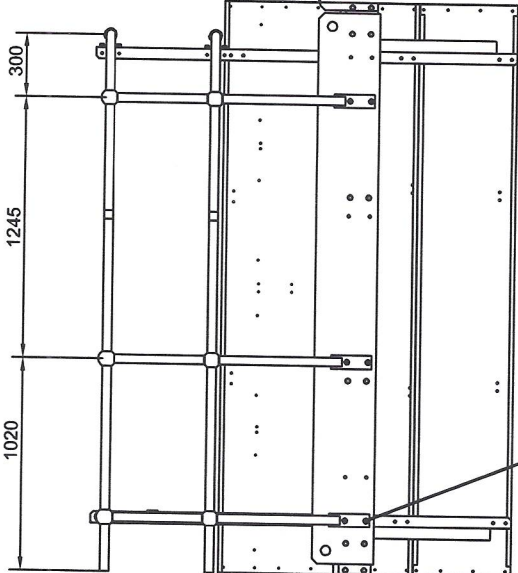
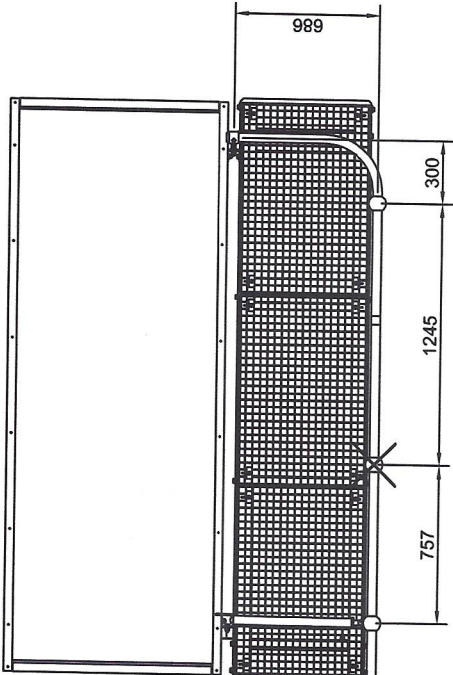
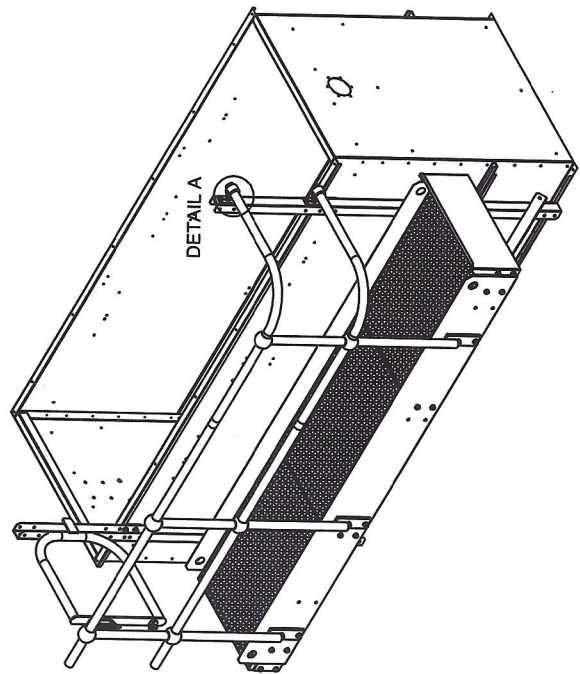


JOINT LINE

TYPICAL JOINT
-DETAIL- BOLTED GATE



DETAIL A (1/8)



| QTY. | ITEM | PART NO. | DESCRIPTION |
|------|------|-----------|--------------------------------|
| 6 | 15 | 210825M3M | GRUB SCREW M8 X 25 INOX 304 |
| 4 | 14 | 210028M9M | DACROMET NUT M10 |
| 4 | 13 | 210033M9M | DACROMET LOCKWASHER M10 |
| 8 | 12 | 210038M9M | DACROMET FLATWASHER M10 |
| 4 | 11 | 210055M9M | DACROMET BOLT M10X30 |
| 2 | 10 | 11A284 | INTERCLAMP 150-C42 |
| 2 | 9 | 11A283 | INTERCLAMP 143-C42 |
| 2 | 8 | 07C034M2 | GUARDRAIL POST VERT 1300MM PAR |
| 6 | 7 | 210029M9M | DACROMET NUT M12 |
| 6 | 6 | 210034M9M | DACROMET LOCKWASHER M12 |
| 12 | 5 | 210039M9M | DACROMET FLATWASHER M12 |
| 6 | 4 | 210059M9M | DACROMET BOLT M12X40 |
| 1 | 3 | 11A413M2 | SD RH SELF-CLOSING GATE 545MM |
| 2 | 2 | 11A487M5 | RAILING TUBE 1010 MM LG |
| 2 | 1 | 11A486M5 | RAILING CORNER 1535 X 715 MM |

Baltimore Aircoll International N.V.
 Industriepark, 2220 Heist-op-den-Berg, Belgium
 www.BaltimoreAircoll.com
 Copyright 2008, Baltimore Aircoll International N.V.

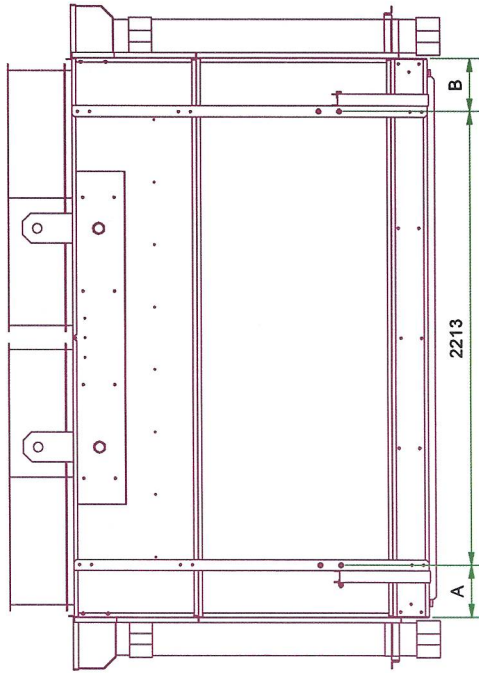
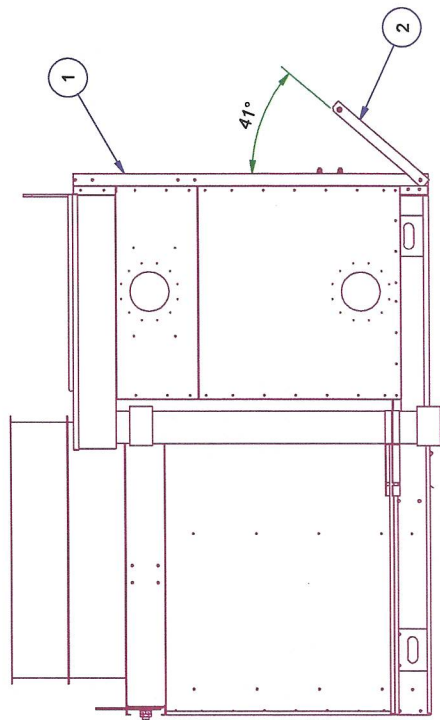
RAILING 3VX9 LEFT ACC. @ END
 UNIT WITH DISCH. ACCESSORIES
 PURCHASING SPEC DRAWING

Rev. **BZ**
 Model **3VX9**
 Weight **N/A kg**
 Dwg. **JVDM 04/11/2008**
 Dwg. By **JVDM**
 Dwg. No. **08J208**
 Part **BZ**

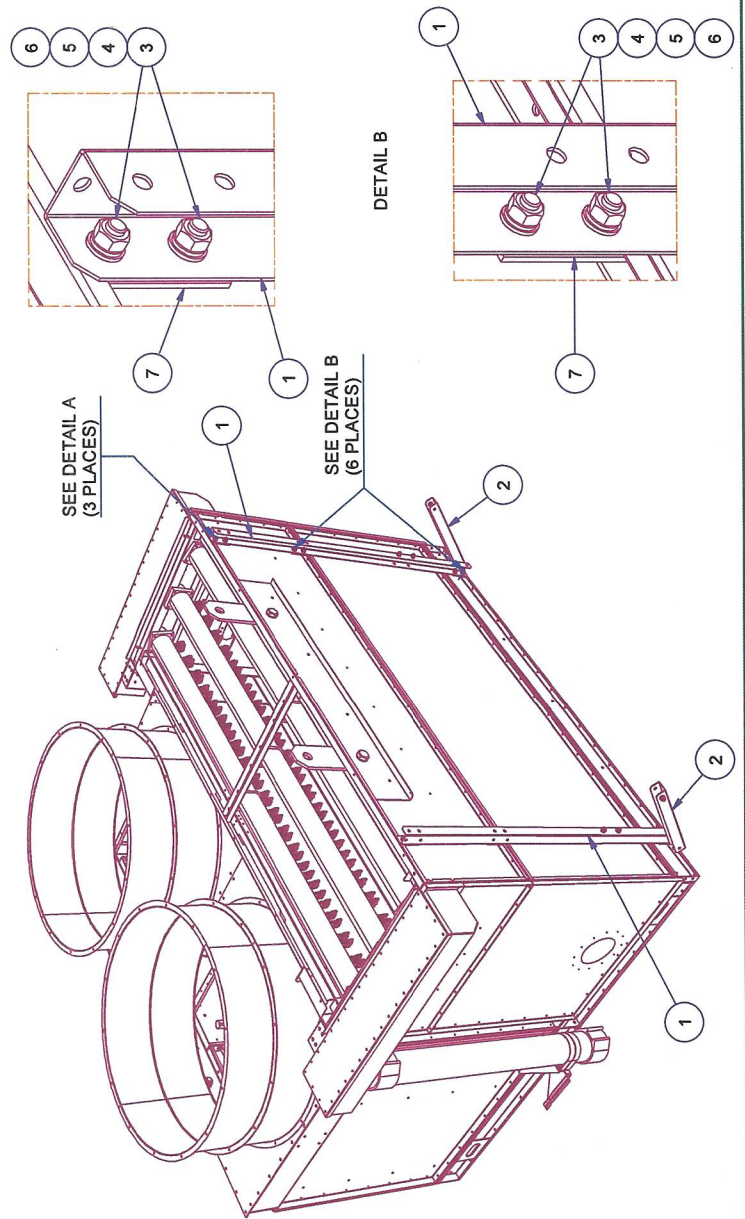
REV FOR CHIRO MANUFACTUR
 ITEM 2 WAS 790mm.
 Dwg. By **PAMO 28.08.12**
 Dwg. No. **13.01.12**

Next Assv. **DabaVAACCEXT_WALKWAY & LDRITOEBOARD & RAILINGEND97 LG**

This drawing is the property of Baltimore Aircoil Company. It is not to be copied or used, directly or indirectly, in whole or in part, to assist in making or to furnish any information to, or for the making of any part or component part shown thereon, without the written consent of Baltimore Aircoil Company. This drawing is loaned with the expressed agreement that the drawing and information contained therein are the property of Baltimore Aircoil Company. The acceptance of this drawing will be construed as an acceptance of the foregoing agreement.



DETAIL A



| | A | B |
|--|-----|-----|
| STANDARD UNITS | 256 | 256 |
| UNIT WITH INTAKE ATTENUATOR (LADDER AT LEFT SIDE) | 104 | 408 |
| UNIT WITH INTAKE ATTENUATOR (LADDER AT RIGHT SIDE) | 408 | 104 |

| Item | Qty | Part | Description |
|------|-----|-----------|-------------------------------|
| 7 | 6 | 08C087M5 | PLATE PLATFORM HOLD |
| 6 | 40 | 210039M9M | FLATWASHER M12 DIN 126 |
| 5 | 20 | 210034M9M | LOCKWASHER M12 DIN 127 |
| 4 | 20 | 210029M9M | NUT M12 DIN 934 |
| 3 | 20 | 210058M9M | BOLT M12 x 30 DIN 933 |
| 2 | 2 | 08I140M5 | U-CHNL DIAGONAL PLTFR SPRT |
| 1 | 2 | 12D011M5 | U-CHANNEL 68-1/8" LG LOW CAS. |

BALTIMORE AIRCOIL INTERNATIONAL NV
 Industriepark, 2220 Heist-op-den-Berg, Belgium
 www.baltimoreaircoil.eu

© 2012 BALTIMORE AIRCOIL INTERNATIONAL NV
PLATFORM SPRT 9' LOW CASING

FINAL ASSEMBLY (BOM)
 Part **12D071M5** Rev. **AZ**

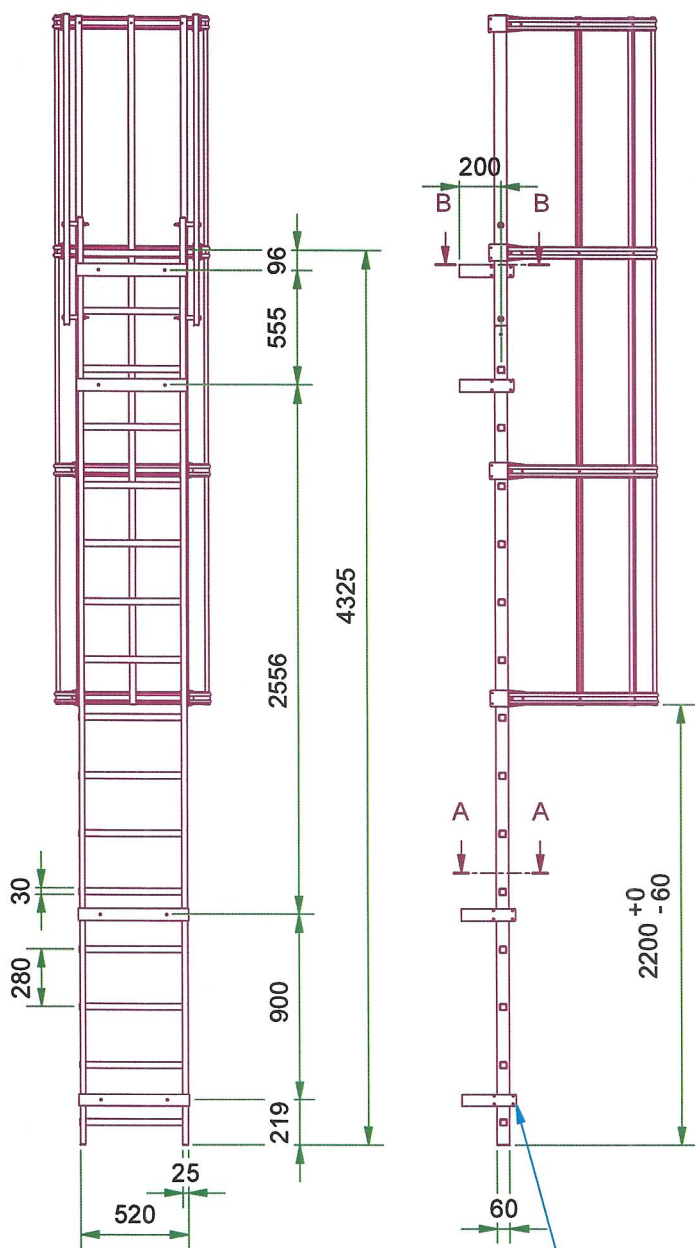
Model **SKC 9' LOW CASNG**
 Ser. No. **N/A**
 Dwg. No. **13/04/2012** Weight **N/A kg**
 Dwg. By **DesignsBEL USGMSKACCO** External platform 9' LC

| Rev | Dwg. By | Dwg. No. |
|-------|--------------|------------|
| Rev A | Dwg. By STGO | 17/09/2014 |

AE DDD DIM TABLE

This drawing is the property of Baltimore Aircoil Company. It is not to be copied or used, directly or indirectly, in whole or in part, to assist in making or to furnish any information for the making of drawings or other reproductions hereof, or for the making of any part or component part shown therein, without the written consent of Baltimore Aircoil Company. This drawing is loaned with the expressed agreement that the drawing and information contained therein are the property of Baltimore Aircoil Company. The acceptance of this drawing will be construed as an acceptance of the foregoing agreement.

LADDER WITH SAFETY CAGE

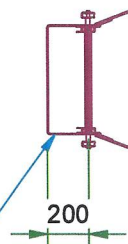


TECHNISCHE GEGEVENS LADDER

KLIMHOOGTE :4325mm.
 2 RECHTE UITSTAPBOMEN
 LADDERBREEDTE :520mm.
 KOKERMAAT :60 x 25mm.
 SPORTMAAT :30 x 30mm.
 SPORTAFSTAND :280mm.
 KOODIAMETER :700mm.
 VAST WANDANKER 200mm. :4 ANKERS
 8 KLEMBEUGELS (ZIE DETAIL C)
 LADDER ZONDER UITSTAPTREDE!!
 KLIMHOOGTE TOT AAN BOVENKANT
 BOVENSTE SPORT.

A-A (1 : 35)

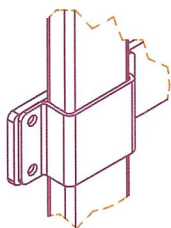
B-B (1 : 35)



WANDANKERS OP KLEMBEUGELS

TO BE SECURED BY CUSTOMER
ATTACHMENT UNDER UNIT.

DETAIL C (1 : 5)



NOTA:

OPGEGEVEN TUSSENAFSTANDEN
VOOR WANDANKERS
WORDEN BEPAALD DOOR
DE STRUCTUUR VAN HET
B.A.C.-TOESTEL EN ZIJN VAST.

| | | | |
|--|--------|---|------------|
|  Baltimore Aircoil International N.V. Industriepark, 2220 Heist-op-den-Berg, Belgium www.BaltimoreAircoil.com © 2010 Baltimore Aircoil International N.V. | | LDR KLIMHOOGTE 4325mm. @ END GEANODISEERD ALU ACCORDING EN ISO 14122 PURCHASING SPEC DRAWING | |
| | | | |
| RevA | Dwg.By | Ser. No. | Model |
| RevC | Dwg.By | Dwg. By | Weight |
| RevB | Dwg.By | By | Next Assy. |
| Designs\BEL\DSGN\IVX\ACC\EXT_WALKWAY & LDR\LDR\10&12VX | | | |

Features

Technology Refrigeration Equipment

Subtechnology Evaporative Condensers

Date added to ETL 1 July 2012

Type of fan Axial

Does the product have a compressor? No

Does the product include a heat exchanger to cool and condense refrigerant vapour?
Yes

Does the product include a fan that blows air over/through the heat exchanger, along
with a water pump and storage tank? Yes

Heat rejection capacity at UK operating conditions (kW) 636

The product incorporates the following A mechanism that wets the external surface
of the heat exchanger

Is the product compatible with a variable frequency drive (VFD)? Yes

Does the product incorporate an automatic blow down control system? No

Does the product conform with the requirements of the The Pressure Equipment
(Safety) Regulations 2016 or have an appropriate Conformity Assessment mark? Yes

Uniclass codes

Code Title

Pr_60_60_13_28 Evaporative condensers



BALTIMORE AIRCOIL COMPANY

**Declaration of incorporation of partly completed machinery
in compliance with (CE) Machinery Directive 2006/42/EC
Annex II.1. B**

Manufacturer:

BALTIMORE AIRCOIL INTERNATIONAL

Address:

**INDUSTRIEPARK – ZONE A
B – 2220 HEIST OP DEN BERG
BELGIUM**

Appliance:

**EVAPORATIVE CONDENSER
(2) CXVE-151-0809-10L R**

Serial number(s):

H1503453 01/-/02

Applicable harmonized
standards:

**EN ISO 12100
EN ISO 13857
EN ISO 14122-2, EN ISO 14122-3, EN ISO 14122-4**

Other applicable standards:

ISO 9001:2008

In compliance with annex VII.B, the relevant technical documents are prepared by Baltimore Aircoil International nv, in its capacity as authorized representative for putting together the file.

An overview of the applied and satisfied essential requirements is included in the technical documentation pack. During a visit, for sound reasons, by the national authorities, Baltimore Aircoil International nv shall hold the relevant information about this partly completed machine at their disposal.

The appliance may not be put into use until after the final machinery, which this appliance is incorporated in, is declared in conformity with the provisions of the directive.

Heist-Op-Den-Berg,

22/04/2015

**Georg Mager
Director Engineering & Quality**

The following essential requirements of the Machinery Directive (2006/42/EC) are applied and fulfilled: 1.1.2; 1.1.3; 1.1.5; 1.1.6; 1.3.1; 1.3.2; 1.3.4; 1.3.7; 1.3.8; 1.3.8.1; 1.3.8.2; 1.4.1; 1.4.2.1; 1.5.2; 1.5.4; 1.5.5; 1.5.6; 1.5.8; 1.5.9; 1.5.13; 1.5.15; 1.5.16; 1.6.1; 1.6.2; 1.7.1; 1.7.2; 1.7.4; 1.7.4.2; 1.7.4.3

